



Datasheet 4526001

Akku-Glasleuchte Numotion 265mm bronzefarben



Dimmable: yes

EMOTION IN MOTION: The dimmable LED battery table lamp in retro look with high-quality glass shade. With its indirect, warm light, it creates a cosy ambience. On the sideboard, in the living room or as a reading lamp at the night table, it is an eye-catcher at any time.

RECHARGEABLE: With the included USB power supply and 1.2 m long charging cable with magnetic Easy-Connect plug, the battery lamp can be conveniently recharged. Wirelessly, it provides 12 hours of table lighting at maximum brightness and up to 24 hours when dimmed (Li-Ion battery, 4,400 mAh). **EASY TO USE:** With one finger, the lamp can be intuitively switched on and off as well as dimmed via the touch switch. Due to its high own weight (~1 kg), it has a solid stand. **DIMENSIVE:** The FLEX-Mood feature offers warm white and glare-free light in 2 colour temperatures (2,700 K and 2,200 K) via the touch dimmer, creating the right atmosphere at any time. **INDOOR & OUTDOOR:** Thanks to protection class IP54 (splash water protected), it can also withstand rain showers and is thus suitable as lighting for the terrace.

Recommended dimmer: www.sigor.de/dimmerliste

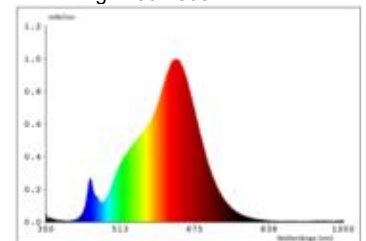
197 lm	luminous flux [lm]
2,20 Watt	rated power
2200/2700 K	colour temperature
Ra>85	colour rendering
5 sdcm	colour consistency
45°	beam angle

IP54	Colour housing
-20° - 40°C	type of protection
	temperature range in operation

-	power factor
5 V AC	voltage
- Hz	operating frequency
1 mA	current
3 kWh/1000h	energy consumption
<1,0 s	warm-up time up to 60% of the full light output
<0,5 s	starting time

Ø 25.000 h	nominal life time
L70B50	rated life time L70/B50
0.9	lumen maintenance factor at the end of the nominal life

Spectral power distribution
in the range 180 - 800 nm



ENERGY

SIGOR
4526001

A	B	C	D	E	F	G
---	---	---	---	---	---	---

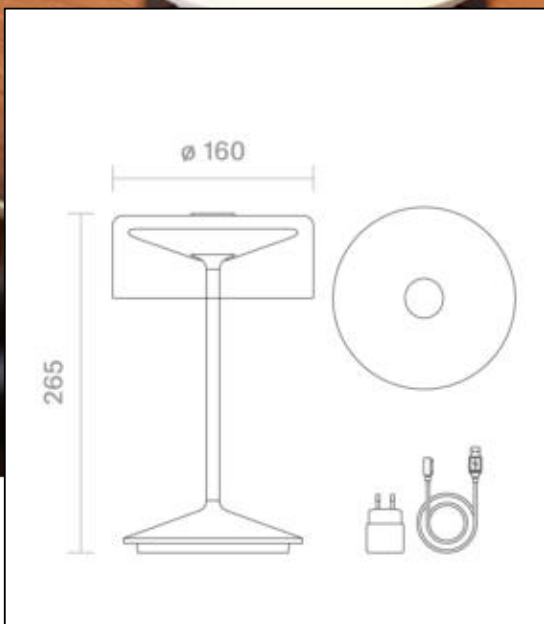
G

3
kWh/1000h

2019/2015

4526001

Akku-Glasleuchte Numotion 265mm bronzefarben



Manual:

https://shop.sigor.de/media/pdf/4526001_manual.pdf

as of: 02.09.2022

Page: 2